

# Rebilling Part B Inpatient for Hospitals

Discussion Points for Process Checks:  
Management & Coding

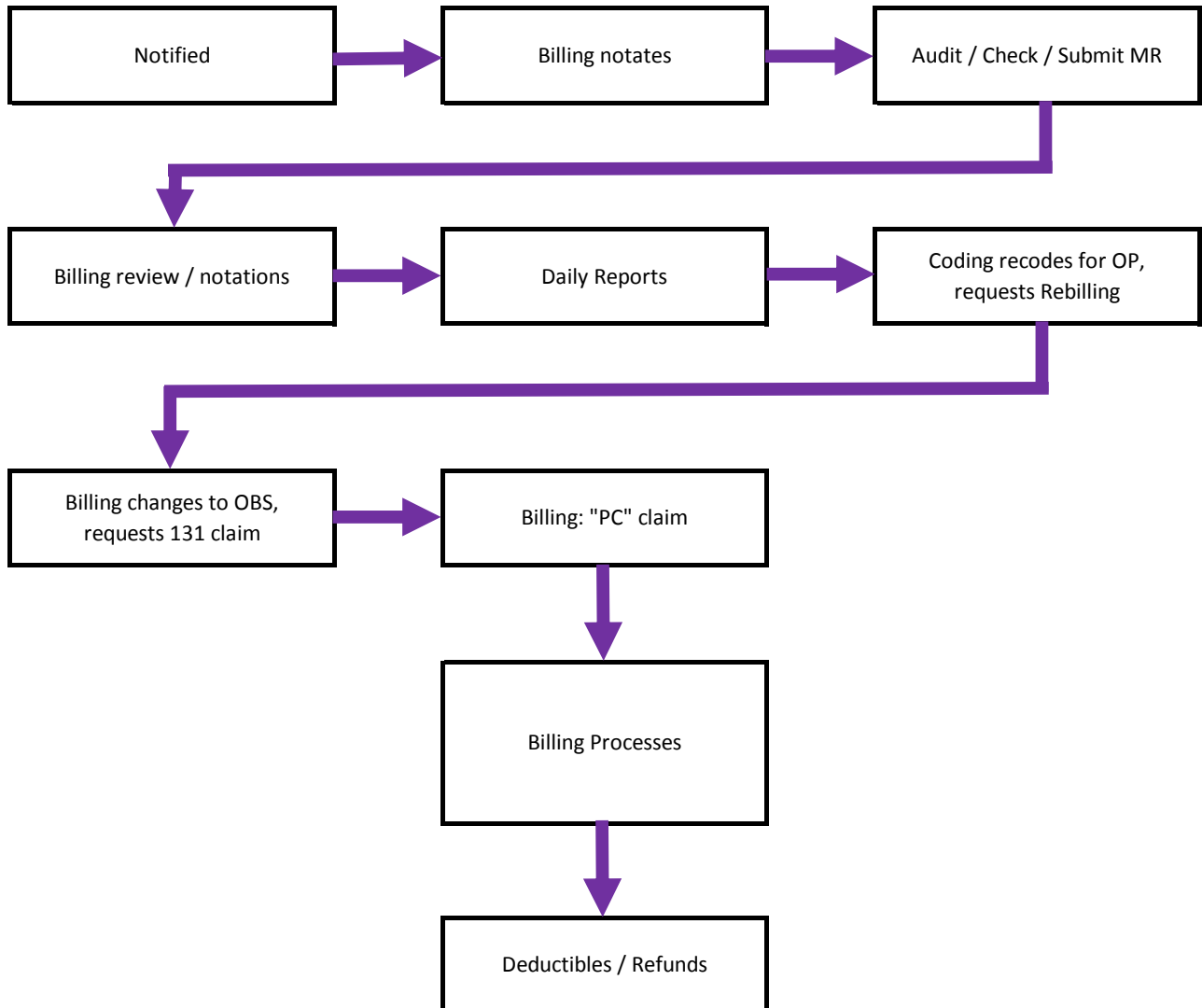
Case



[www.recoveryanalyticsllc.com](http://www.recoveryanalyticsllc.com)

Subjects to Be Discussed / Reviewed	CaseMgmt	Coding	Other
AB Report	✓	✓	
Account Types <ul style="list-style-type: none"> <li>• Agree with Auditor / RAC / Appeals</li> </ul>	✓		
Validate Patient Type <ul style="list-style-type: none"> <li>• ED</li> <li>• OPP/S (procedure/surgery)</li> <li>• OBS</li> <li>• IP</li> </ul>	✓		
Validate OBS Times <ul style="list-style-type: none"> <li>• Relevant only for OBS times meeting medical necessity - most cases prior to IP order</li> <li>• Could be following with valid Condition Code 44</li> </ul>	✓	Who is assigning the G code?	
Make account note	✓		
Email BO account next steps	✓		
Review MR for OP coding utilizing OP guidelines		✓	
Code any procedures assigned by HIM with CPT codes		✓	
Make account note		✓	
Email BO account next steps		✓	
Charge review for CPT <ul style="list-style-type: none"> <li>• look for CPT codes that may have APC payment</li> </ul>			?

**Part B IP Billing Scenario:**  
Pre-pay via ADR or FISS





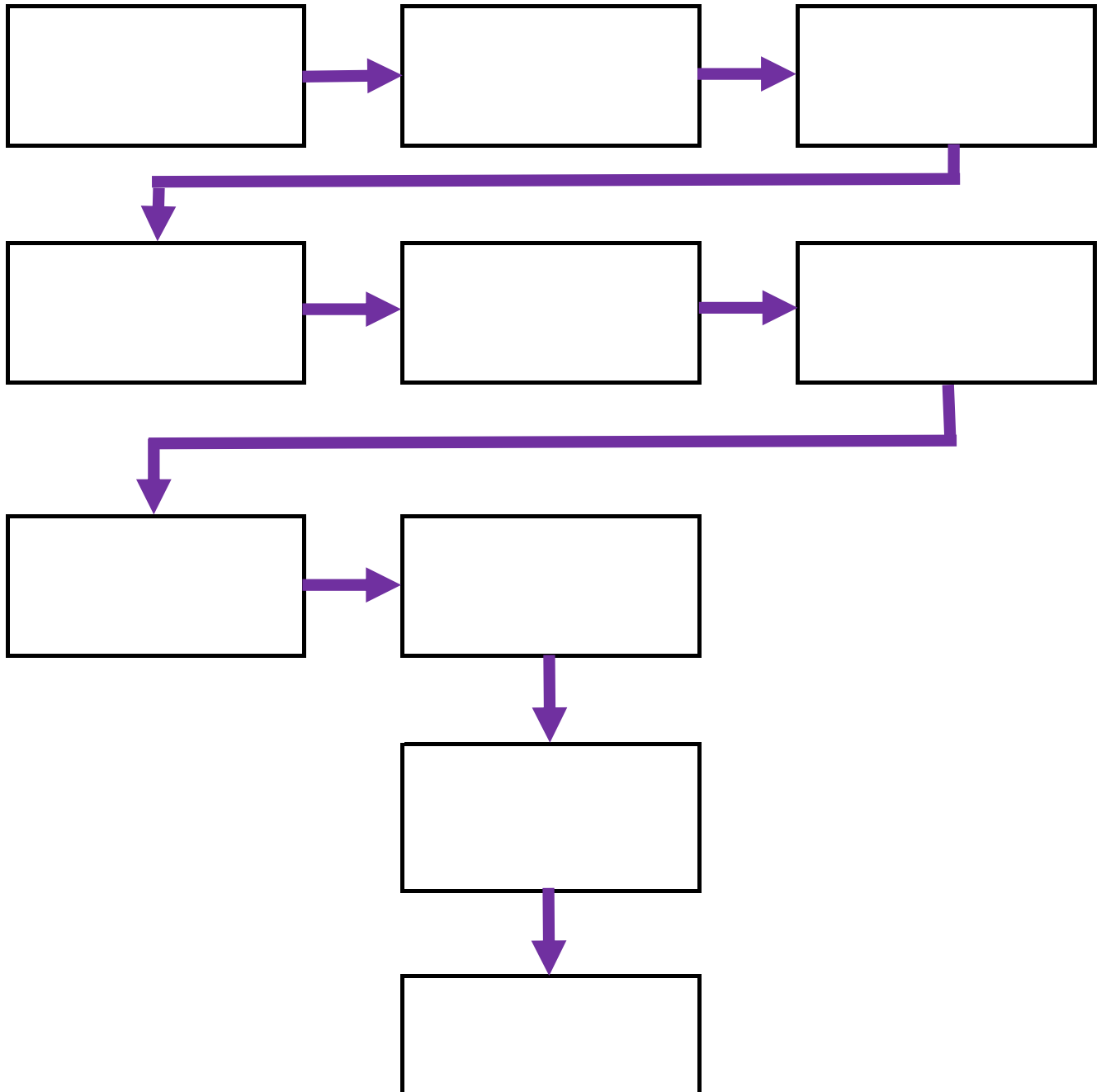
Recovery Analytics

Committed To Your Success

[www.recoveryanalyticsllc.com](http://www.recoveryanalyticsllc.com)

Part B IP Billing Scenario:

Pre-pay via ADR or FISS





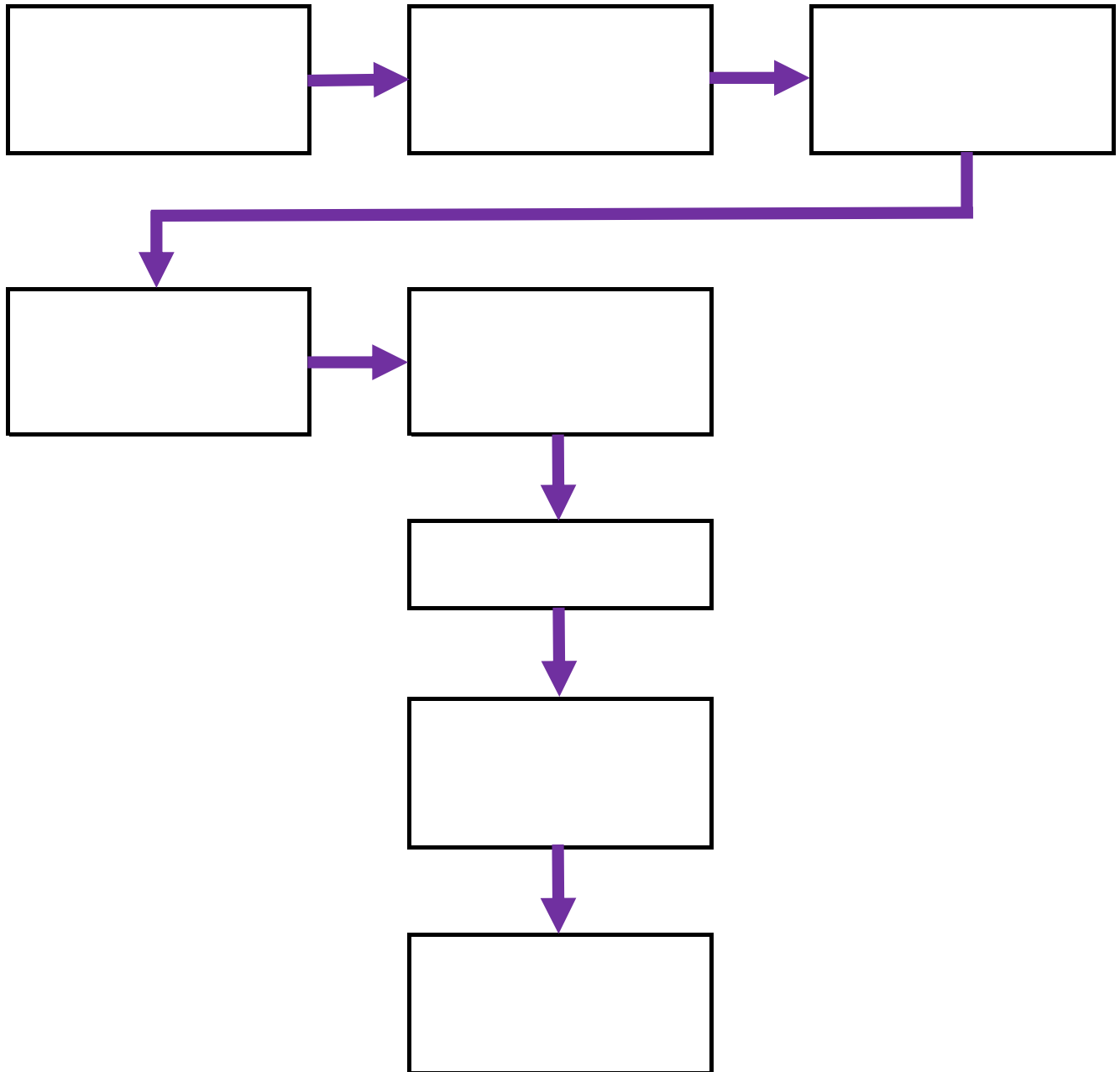
Recovery Analytics

Committed To Your Success

[www.recoveryanalyticsllc.com](http://www.recoveryanalyticsllc.com)

Part B IP Billing Scenario:

RAC Post-payment





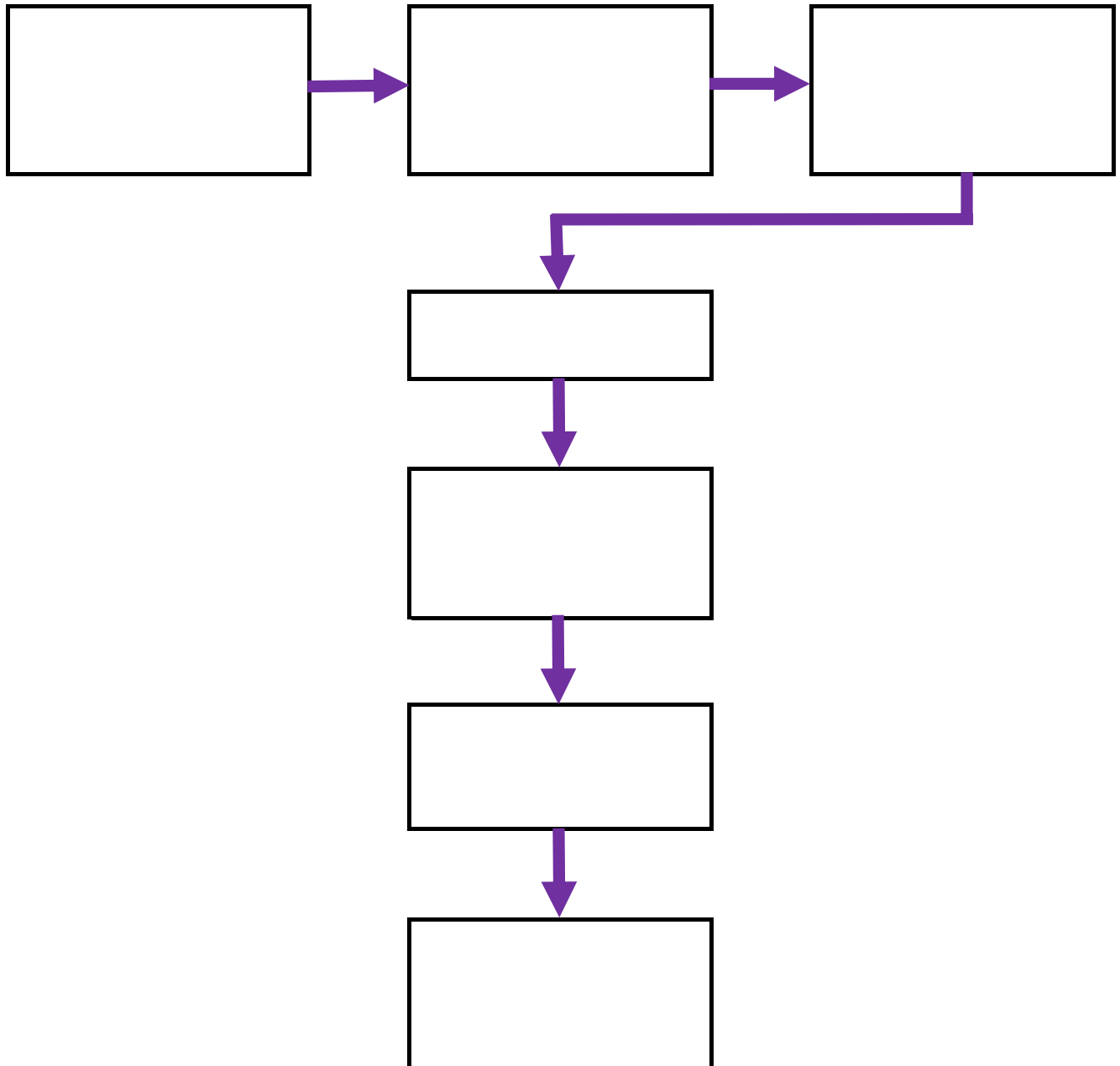
Recovery Analytics

Committed To Your Success

[www.recoveryanalyticsllc.com](http://www.recoveryanalyticsllc.com)

**Part B IP Billing Scenario:**

Pre-bill & Post Discharged Identified Claims  
(Missed Condition Code 44)



**Part B IP Billing Scenario:**  
Post-payment Internal Reviews

